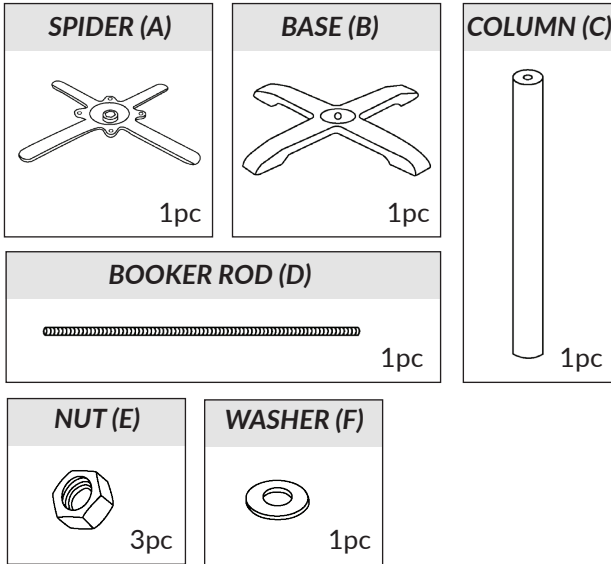
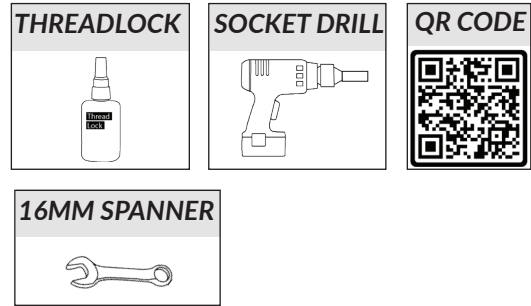


Table & Drybar Bases

PARTS:



TOOLS (NOT INCLUDED):



We strongly recommend applying thread lock to ends of the booker rod and using an socket drill. Scan the QR code with a phone or tablet to access the assembly video.

WARNING:

Always take care with a socket drill, especially when screwing into the spider (cross member).

INSTRUCTIONS:

