

NOTES:

To achieve the best results with the assembly of our base, we strongly recommend thread locking all screws (apply to full length of screw) and using a 14mm spanner.

PARTS:

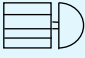


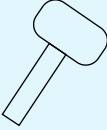

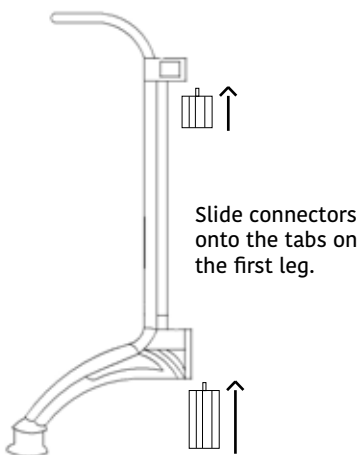
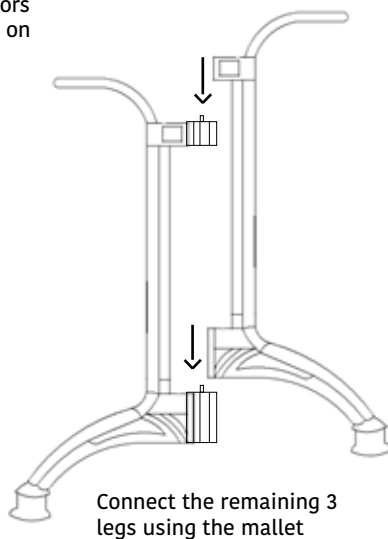
A	B	C	TOOL	TOOL
				
TOP CONNECTOR	BOTTOM CONNECTOR		RUBBER MALLET	THREADLOCK
X1	X1	X4	NOT INCLUDED	NOT INCLUDED

DIAGRAM:

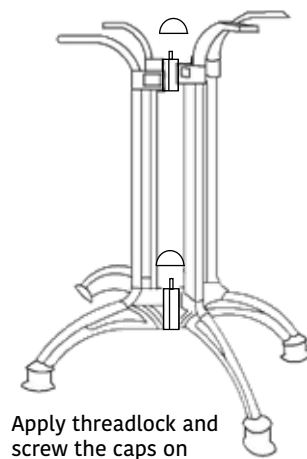
STEP 1:



STEP 2:



STEP 3:



COMPLETE:

