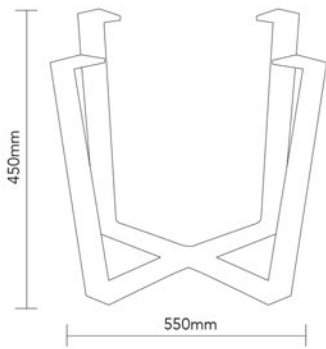
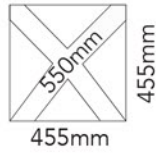


Iris Coffee Table

DIMENSIONS



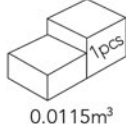
Footprint



Unit KG



Carton



0.0115m³

Top Max:



Ø mm. 800

FINISHES



Black Matt



White



Brushed Satin



Brass Brushed Satin

DETAILS

BASE

Mild Steel

ORIGIN

China

USE

Indoor



DESCRIPTION

The Iris coffee table is a mild steel base, powdercoated in a matt finish and stainless steel base with a brushed satin finish. This base features a straight edge profile and four felt floor protectors. This base is recommended for indoor use only.