

A FRAME DRY BAR FRAME

eZ ASSEMBLY INSTRUCTIONS

NOTES:

To achieve the best results with the assembly of this frame, we strongly recommend thread locking all screws (apply to full length of screw) and using an impact drill gun. Always take care with an impact drill gun.

PARTS:

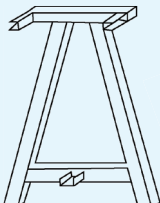
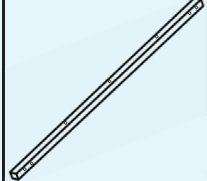






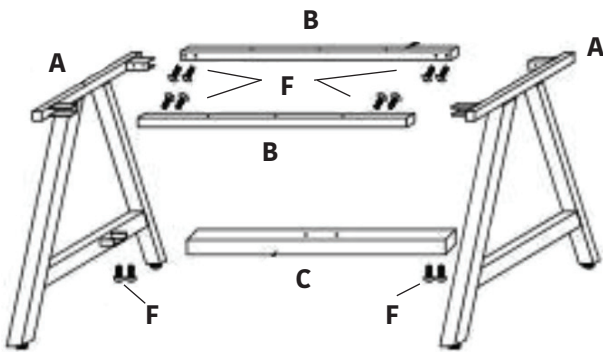
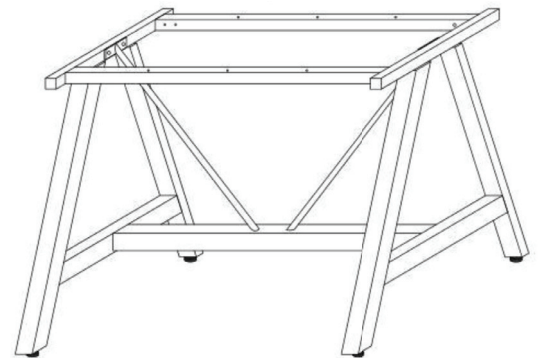
A	B	C	D	E	F	TOOL	TOOL
				 HEX HEAD 5MM	 HEX HEAD 5MM	 IMPACT DRILL	 THREAD LOCK
X2	X2	X1	X2	X2	X16	NOT INCLUDED	NOT INCLUDED

DIAGRAM:

STEP 1:



COMPLETE:



STEP 2:

