

NOTES:

To achieve the best results with the assembly of our bar, we strongly recommend using wood glue on all screws (apply to full length of screw) and an impact drill gun.

PARTS:


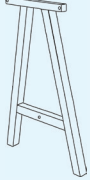








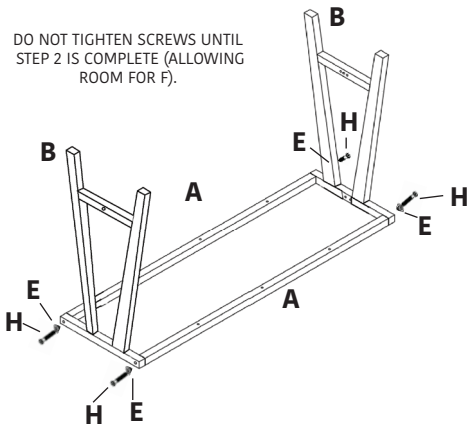
A	B	C	D	E	F	G	H	TOOL	TOOL
									
X2	X2	X1	X2	X12	X4	X4 HEX 4MM	X8 HEX 5MM	IMPACT DRILL	WOOD GLUE
								NOT INCLUDED	NOT INCLUDED

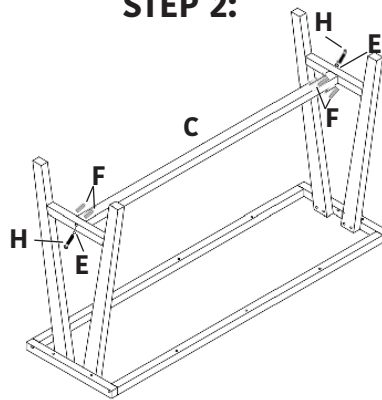
DIAGRAM:

STEP 1:

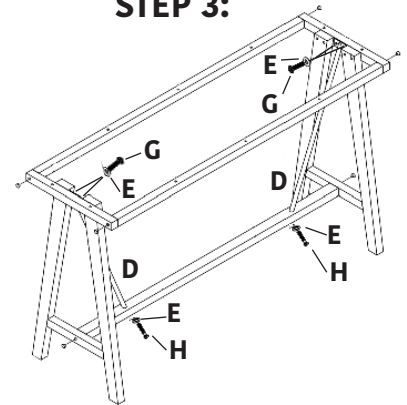
DO NOT TIGHTEN SCREWS UNTIL STEP 2 IS COMPLETE (ALLOWING ROOM FOR F).



STEP 2:



STEP 3:



COMPLETE:

