

NOTES:

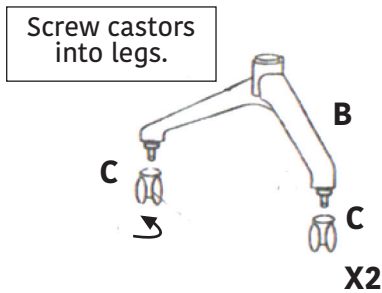
To achieve the best results with the assembly of our folding base, we strongly recommend thread locking all screws (apply to full length of screw) and using a impact drill gun. Always take care with an impact drill gun.

PARTS:

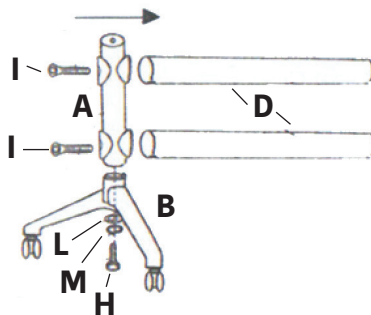
A	B	C	D	E	F	G	H	I	J	K	L	M	TOOL	TOOL
X2	X2	X4	X2	X2	X2	X1	X4	X4	X12	X8	X4	X4	IMPACT DRILL	THREAD LOCK
													NOT INCLUDED	NOT INCLUDED

DIAGRAM:

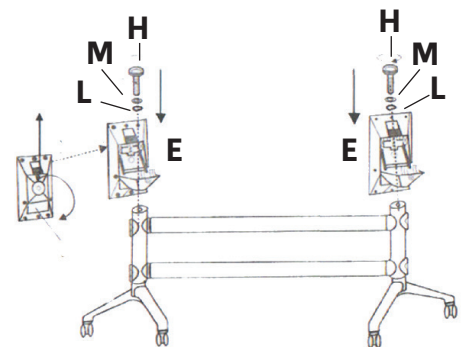
STEP 1:



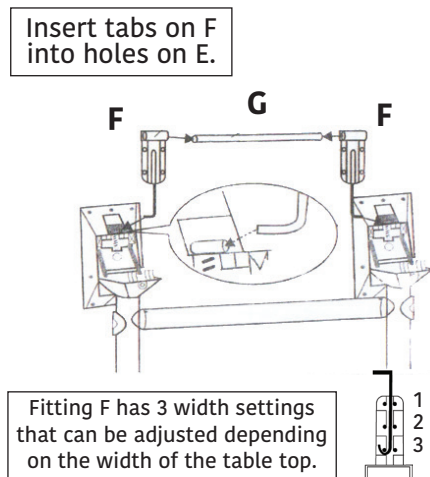
STEP 2:



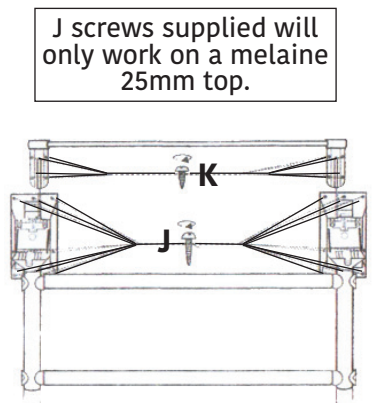
STEP 3:



STEP 4:



STEP 5:



COMPLETE:

