

NOTES:

To achieve the best results with the assembly of our bar, we strongly recommend using wood glue on all screws (apply to full length of screw) and an impact drill gun.

PARTS:


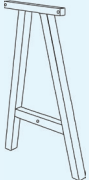




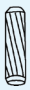





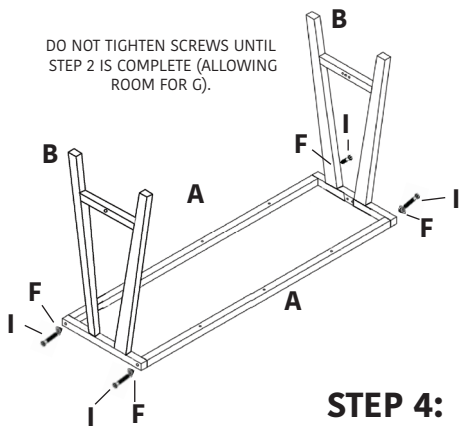
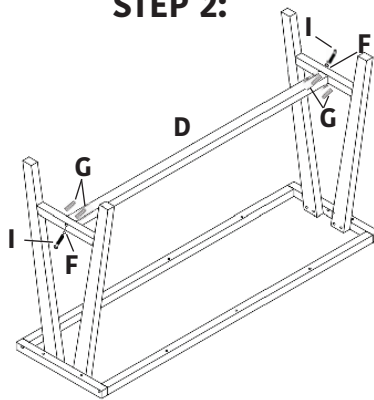
A	B	C	D	E	F	G	H	I	J	TOOL	TOOL
							 HEX 4MM	 HEX 5MM	 HEX 4MM L 40MM	 IMPACT DRILL	 WOOD GLUE
X2	X2	X1	X1	X2	X12	X4	X4	X8	X12	NOT INCLUDED	NOT INCLUDED

DIAGRAM:

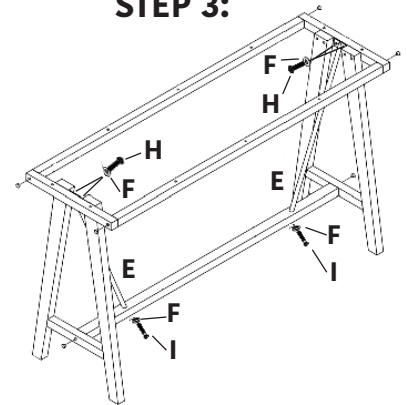
STEP 1:



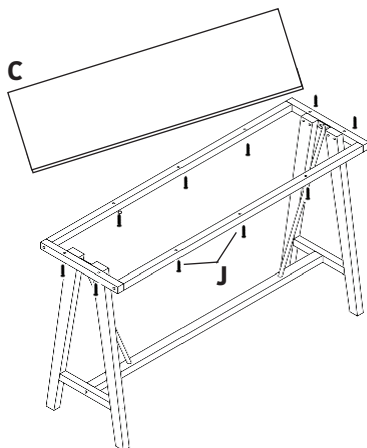
STEP 2:



STEP 3:



STEP 4:



COMPLETE:

