

SNOUT SLED SIDE CHAIR

eZ ASSEMBLY INSTRUCTIONS

NOTES:

To achieve the best results with the assembly of our chair and stool, we strongly recommend thread locking all screws (apply to full length of screw) and the use of an impact drill gun.

PARTS:

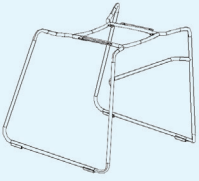
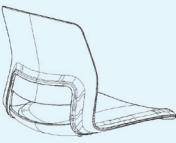
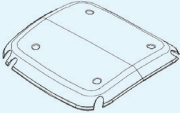
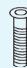


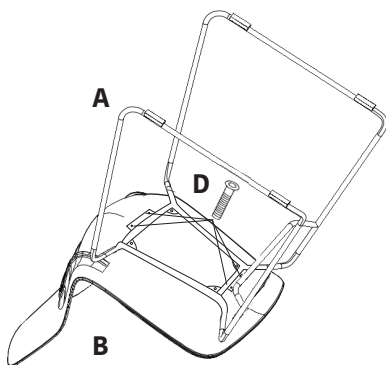
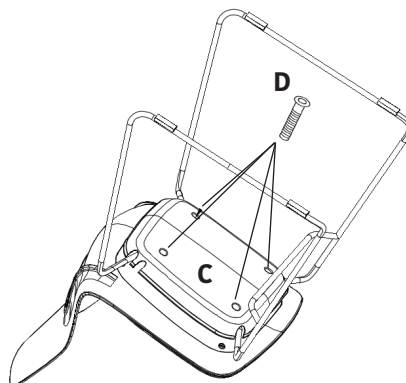
A	B	C	D	TOOL	TOOL
			 HEX HEAD 14MM	 IMPACT DRILL GUN	 THREAD LOCK
X1	X1	X1	X8	NOT INCLUDED	NOT INCLUDED

DIAGRAM:

STEP 1:



STEP 2:



COMPLETE:

