

Date received: 31/10/17

Date of issue: 31/01/18

Report consists of 11 test reports.

Defects before testing: None

Sample name: ALFA

NARDI S.P.A.
VIA DELLE STANGA' 14
36072 CHIAMPO (VI)
ITALIA

SAMPLE N° 241697

Overall dimensions: 700 x 1740 x 840 (h) mm

List performed tests:

1. Outdoor furniture - General safety requirements EN 581-1:2017
2. Information for use EN 581-2:2015, clause 8
3. Loungers: seat and back static load test - reclining back rest EN 1728:2012+AC:2013
4. Loungers: additional seat and leg rest static load test EN 1728:2012+AC:2013
5. Loungers. Seat and back fatigue test - reclining back rest EN 1728:2012+AC:2013
6. Loungers: additional seat durability test EN 1728:2012+AC:2013
7. Loungers: durability test on back rest mechanism EN 1728:2012+AC:2013
8. Loungers: arm downwards static load test EN1728:2012+AC:2013
9. Loungers: arm fatigue test EN 1728:2012+AC:2013
10. Loungers: seat impact test EN 1728:2012+AC:2013
11. Loungers. Stability EN 581-2:2015



This document is validated by digital signature and time stamping in accordance with the Italian laws and the European Directives which regulate the electronic signature systems.

Managing Director
Dr. Andrea Giavon

The sample name and, when relevant, its description, are given by the orderer, and CATAS does not assume responsibility on this matter. This test report relates to the sample submitted for the test and no others. Additions, deletions or alterations are not permitted. This test report must always be reproduced in its entirety. Unless otherwise stated, sampling has been carried out by the orderer.

SAMPLE N° 241697

Date of issue: 31/01/18
Sample weight: Not determined
Sample name: ALFA



Side view



Rear view



Bottom view

The sample name and, when relevant, its description, are given by the orderer, and CATAS does not assume responsibility on this matter. This test report relates to the sample submitted for the test and no others. Additions, deletions or alterations are not permitted. This test report must always be reproduced in its entirety. Unless otherwise stated, sampling has been carried out by the orderer.

TEST REPORT

241697 / 1

Date received: 31/10/17
Date of test: 27/11/17
Date of issue: 31/01/18
Sample name: ALFA



NARDI S.P.A.
VIA DELLE STANGA' 14
36072 CHIAMPO (VI)
ITALIA

Outdoor furniture - General safety requirements EN 581-1:2017

5.1 General:

Requirement	Observed	Remarks
Edges of seat, back rest and arm rests rounded and chamfered	Yes	None
All other parts: free from burrs, sharp edges and sharp points.	Yes	None
Movable and adjustable parts designed so that injuries and inadvertent operation are avoided	Yes	None
Any load bearing part of furniture not come loose unintentionally	Yes	None
Lubricated parts are protected	Not present	None

5.2 Tubular components:

Requirement	Observed	Remarks
Absence of tubular components with diameter > 7 mm and < 12 mm with a depth > 10 mm.	Yes	None
Tubulars in contact with the floor are closed. Holes in them are allowed as long as they are < 7 mm or > 12 mm	Yes	None

5.3 Shear and squeeze points:

Requirement	Observed	Remarks
Shear and squeeze points that are created only during adjusting and folding away are acceptable if the user has the control of his/her movements.	Yes	None
Absence of shear and squeeze points, created by parts operated by powered mechanism.	Not present	None
Absence of shear and squeeze points, created by loads applied during normal use.	Yes	None

Conformity to requirements of clause 5 of standard EN 581-1:2017:

YES

This document is validated by digital signature and time stamping in accordance with the Italian laws and the European Directives which regulate the electronic signature systems.

Managing Director
Dr. Andrea Giavon

TEST REPORT

241697 / 2

Date received: 31/10/17
Date of test: 31/01/18
Date of issue: 31/01/18
Sample name: ALFA



NARDI S.P.A.
VIA DELLE STANGA' 14
36072 CHIAMPO (VI)
ITALIA

Information for use EN 581-2:2015, clause 8

Information for use EN 581-2:2015, clause 8

General, clause 7.1

Statement checked	Remarks
Shall be provided in the language of the country where the chairs are sold.	Italian language
Shall be headed "IMPORTANT, RETAIN FOR FUTURE REFERENCE: READ CAREFULLY" in letters no less than 5 mm high.	Present

This instructions shall include at least the following:

Statement checked	Remarks
a) Name and address of the producer (manufacturer or supplier).	Present
b) Conditions for use of the product (camping, domestic or contract)	Present
c) Assembly instructions	Not applicable
d) Instructions for the care and maintenance.	Present
e) If the seating is fitted with seat height adjustments with energy accumulators, an additional note is required pointing out that only trained personnel may replace or repair seat height adjustment components with energy accumulators.	Not applicable

Marking for mobile loungers, clause 8.2

Statement checked	Remarks
All mobile loungers not intended to be lifted and moved under load shall be marked with a pictogram.	Present

Conformity to clause 8 of standard of EN 581-2:2015:	YES
--	------------

This document is validated by digital signature and time stamping in accordance with the Italian laws and the European Directives which regulate the electronic signature systems.

Managing Director
Dr. Andrea Giavon

The sample name and, when relevant, its description, are given by the orderer, and CATAS does not assume responsibility on this matter. This test report relates to the sample submitted for the test and no others. Additions, deletions or alterations are not permitted. This test report must always be reproduced in its entirety. Unless otherwise stated, sampling has been carried out by the orderer.

TEST REPORT

241697 / 3

Date received: 31/10/17
Date of test: 28/11/17
Date of issue: 31/01/18
Sample name: ALFA



NARDI S.P.A.
VIA DELLE STANGA' 14
36072 CHIAMPO (VI)
ITALIA

Loungers: seat and back static load test - reclining back rest EN 1728:2012+AC:2013

Loungers: seat and back static load test clause 8.2

Back rest inclination: 21°

Test results:

Seat load N	Back rest force N	Number of cycles	Time of application	Remarks
2.000	560	5	10 s	No defects
1.500	1.400	5	10 s	No defects
1.500	1.400	1	30 min	No defects

Note:

The test has been carried out according to table 2 of EN 581-2:2015, contract level.

This document is validated by digital signature and time stamping in accordance with the Italian laws and the European Directives which regulate the electronic signature systems.


Managing Director
Dr. Andrea Giavon

The sample name and, when relevant, its description, are given by the orderer, and CATAS does not assume responsibility on this matter. This test report relates to the sample submitted for the test and no others. Additions, deletions or alterations are not permitted. This test report must always be reproduced in its entirety. Unless otherwise stated, sampling has been carried out by the orderer.

TEST REPORT

241697 / 4

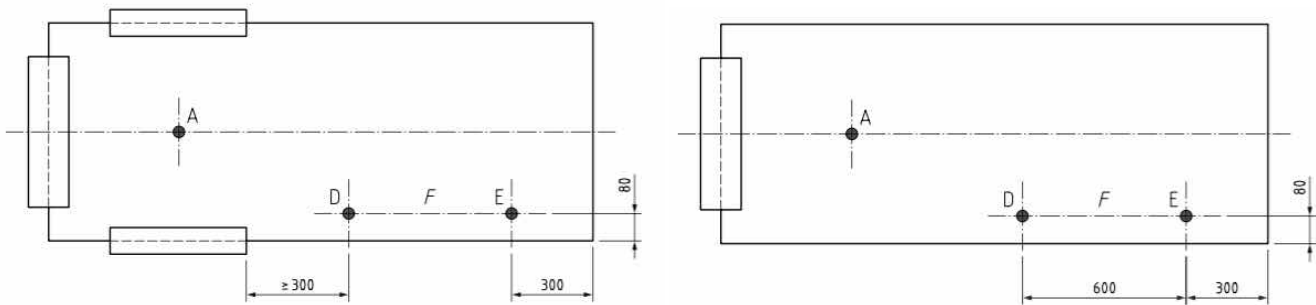
Date received: 31/10/17
Date of test: 28/11/17
Date of issue: 31/01/18
Sample name: ALFA



NARDI S.P.A.
VIA DELLE STANGA' 14
36072 CHIAMPO (VI)
ITALIA

Loungers: additional seat and leg rest static load test EN 1728:2012+AC:2013

Loungers: additional seat and leg rest static load test clause 8.3



Test results:

Force on point A N	Force between point D and E	Number of cycles	Time of application	Remarks
750	900	10	10 sec	No defects
750	900	1	30 min	No defects

Note:

The test has been carried out according to table 2 of EN 581-2:2015, contract level.

This document is validated by digital signature and time stamping in accordance with the Italian laws and the European Directives which regulate the electronic signature systems.

Managing Director
Dr. Andrea Giavon

The sample name and, when relevant, its description, are given by the orderer, and CATAS does not assume responsibility on this matter. This test report relates to the sample submitted for the test and no others. Additions, deletions or alterations are not permitted. This test report must always be reproduced in its entirety. Unless otherwise stated, sampling has been carried out by the orderer.

TEST REPORT

241697 / 5

Date received: 31/10/17
Date of test: 11/12/17
Date of issue: 31/01/18
Sample name: ALFA



NARDI S.P.A.
VIA DELLE STANGA' 14
36072 CHIAMPO (VI)
ITALIA

Loungers. Seat and back fatigue test - reclining back rest EN 1728:2012+AC:2013

Loungers: seat and back fatigue test, clause 8.4.1

Back rest inclination: 21°

Test results:

Seat force N	Back force N	Number of cycles	Back rest position	Remarks
1.000	333	25.000	Vertical	No defects
750	700	25.000	Reclining	No defects

Total cycles: 50.000

Note:

The test has been carried out according to table 2 of EN 581-2:2015, contract level.

This document is validated by digital signature and time stamping in accordance with the Italian laws and the European Directives which regulate the electronic signature systems.

Managing Director
Dr. Andrea Giaven

TEST REPORT

241697 / 6

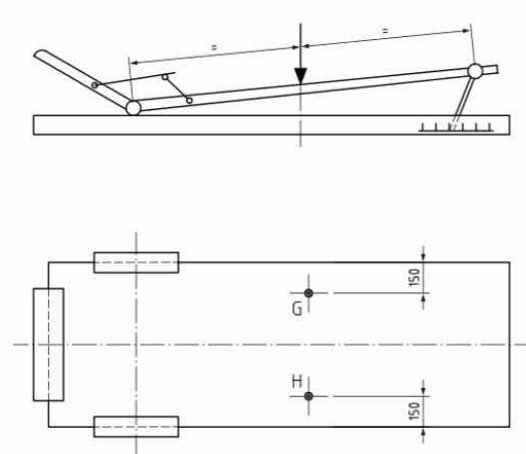
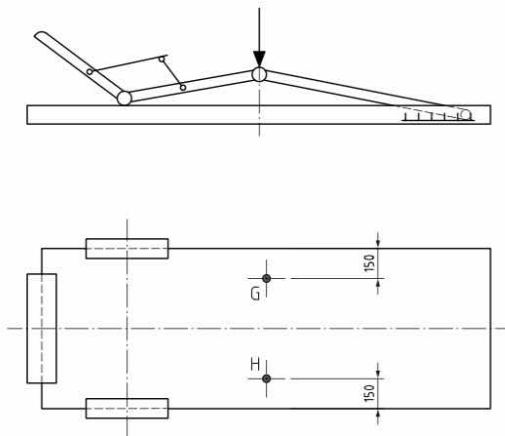
Date received: 31/10/17
Date of test: 03/01/18
Date of issue: 31/01/18
Sample name: ALFA



NARDI S.P.A.
VIA DELLE STANGA' 14
36072 CHIAMPO (VI)
ITALIA

Loungers: additional seat durability test EN 1728:2012+AC:2013

Loungers: additional seat durability test, clause 8.4.2



Test results:

Vertical force in points G and H N	Number of cycles per point	Remarks
1.000	10.000	No defects

Total cycles: 20.000

Note:

The test has been carried out according to table 2 of EN 581-2:2015, contract level.

This document is validated by digital signature and time stamping in accordance with the Italian laws and the European Directives which regulate the electronic signature systems.

Managing Director
Dr. Andrea Giavon

TEST REPORT

241697 / 7

Date received: 31/10/17
Date of test: 05/01/18
Date of issue: 31/01/18
Sample name: ALFA



NARDI S.P.A.
VIA DELLE STANGA' 14
36072 CHIAMPO (VI)
ITALIA

Loungers: durability test on back rest mechanism EN 1728:2012+AC:2013

Loungers: durability test on back rest mechanism, clause 8.5

Test results:

Mass on the seat kg	Back force N	Number of cycles	Remarks
100	250	20.000	Non defetcs

Note:

The test has been carried out according to table 2 of EN 581-2:2015, contract level.

This document is validated by digital signature and time stamping in accordance with the Italian laws and the European Directives which regulate the electronic signature systems.

Managing Director
Dr. Andrea Giavon

TEST REPORT

241697 / 8

Date received: 31/10/17
Date of test: 19/01/18
Date of issue: 31/01/18
Sample name: ALFA



NARDI S.P.A.
VIA DELLE STANGA' 14
36072 CHIAMPO (VI)
ITALIA

Loungers: arm downwards static load test EN1728:2012+AC:2013

Loungers: arm downwards static load test, clause 8.6

Test results:

Vertical force N	Number of applications	Remarks
900	10	No defects

Note:

The test has been carried out according to table 2 of EN 581-2:2015, contract level.

This document is validated by digital signature and time stamping in accordance with the Italian laws and the European Directives which regulate the electronic signature systems.

Managing Director
Dr. Andrea Giaven

TEST REPORT

241697 / 9

Date received: 31/10/17
Date of test: 19/01/18
Date of issue: 31/01/18
Sample name: ALFA



NARDI S.P.A.
VIA DELLE STANGA' 14
36072 CHIAMPO (VI)
ITALIA

Loungers: arm fatigue test EN 1728:2012+AC:2013

Loungers: arm fatigue test, clause 8.7

Test results:

Force on arm rest N	Number of cycles	Remarks
400	30.000	No defects

Note:

The test has been carried out according to table 2 of EN 581-2:2015, contract level.

This document is validated by digital signature and time stamping in accordance with the Italian laws and the European Directives which regulate the electronic signature systems.

Managing Director
Dr. Andrea Giavon

The sample name and, when relevant, its description, are given by the orderer, and CATAS does not assume responsibility on this matter. This test report relates to the sample submitted for the test and no others. Additions, deletions or alterations are not permitted. This test report must always be reproduced in its entirety. Unless otherwise stated, sampling has been carried out by the orderer.

TEST REPORT

241697 / 10

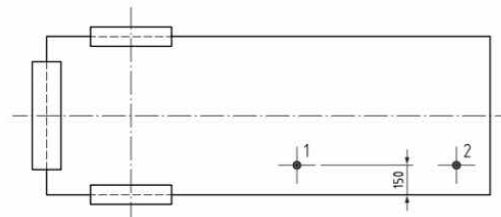
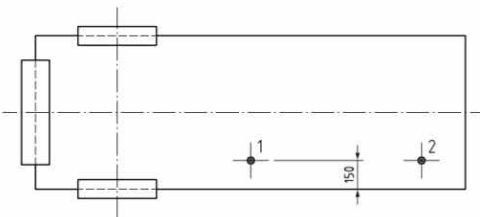
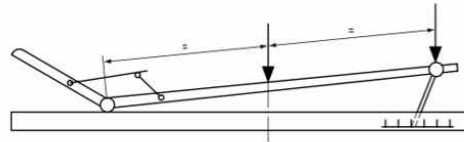
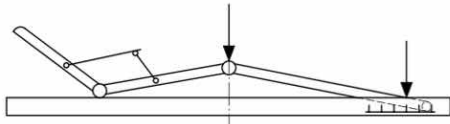
Date received: 31/10/17
Date of test: 31/01/18
Date of issue: 31/01/18
Sample name: ALFA



NARDI S.P.A.
VIA DELLE STANGA' 14
36072 CHIAMPO (VI)
ITALIA

Loungers: seat impact test EN 1728:2012+AC:2013

Loungers: seat impact test, clause 8.8



Test results:

Mass of impactor kg	Height of drop mm	Number of drops	Remarks
25	240	10	No defects

Note:

The test has been carried out according to table 2 of EN 581-2:2015, contract level.

This document is validated by digital signature and time stamping in accordance with the Italian laws and the European Directives which regulate the electronic signature systems.

Managing Director
Dr. Andrea Giavon

The sample name and, when relevant, its description, are given by the orderer, and CATAS does not assume responsibility on this matter. This test report relates to the sample submitted for the test and no others. Additions, deletions or alterations are not permitted. This test report must always be reproduced in its entirety. Unless otherwise stated, sampling has been carried out by the orderer.

TEST REPORT

241697 / 11

Date received: 31/10/17
Date of test: 31/01/18
Date of issue: 31/01/18
Sample name: ALFA



NARDI S.P.A.
VIA DELLE STANGA' 14
36072 CHIAMPO (VI)
ITALIA

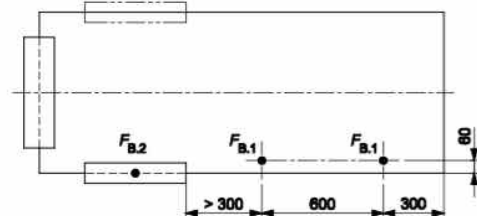
Loungers. Stability EN 581-2:2015

Stability EN 581-2:2015, annex A

Sideways stability, annex A, clause A.1.1

Loungers with arm rests:

Force in F_{B1}: 600 N
Force in F_{B2}: 250 N
Time of application: 5 sec

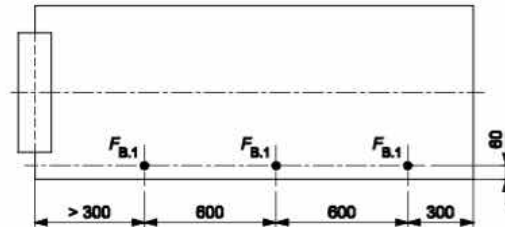


Remarks:

The lounge does not overbalance

Loungers without arm rests:

Force in F_{B1}: /
Time of application: /

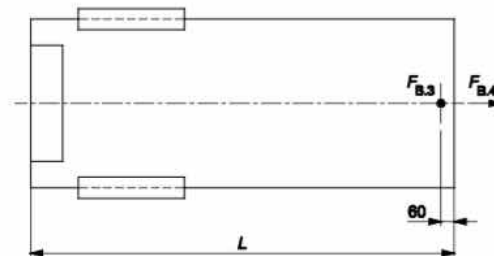


Remarks:

/

Forward stability, annex A, clause A.1.2

Force in F_{B3}: 600 N
Time of application: 5 sec



Remarks:

The lounge does not overbalance

This document is validated by digital signature and time stamping in accordance with the Italian laws and the European Directives which regulate the electronic signature systems.

Managing Director
Dr. Andrea Giavon

